

Development of Agricultural Advisory Systems and Farmers' Organisations

DAAS has 100 years of experience in running a farmer owned and managed advisory system. The Danish Model has proven its ability to find economically sustainable solutions and has provided impartial and practicable solutions to the farmers' needs. DAAS combines updated research with professional competence and practical experience.

DAAS' core competence areas are:

- Establishment and strengthening of user driven agricultural and livestock production advisory services
- Development and institutional support to farmers' organisations and cooperatives
- Design, management and delivery of training and retraining courses
- Organisation of study tours and short training courses tailored to client needs
- Development of agricultural information and dissemination systems
- Development of commercial agriculture and livestock productions
- Farm management and on-farm research
- Farm Standards based on EU requirements, research and farming experience
- Development of advisory methods and tools including decision support systems
- Environmental-friendly production systems including organic and ecological farming
- Integrated animal production and health monitoring systems
- Herd registration and animal identification
- Food safety and "quality crops" systems
- Linkage building between research, education and agricultural advisory services

Additional areas of services offered by DAAS:

- Formulation and implementation of rural development-related projects
- Needs assessments including questionnaire design and data collection
- Sector, costing and risk analysis and reviews
- Consulting services to individual clients improving their efficiency and profitability
- Appropriate monitoring systems and impact assessments
- Evaluation

DAAS favours implementation of projects employing specific short-term consultancy support and always operates from a participatory point of view respecting local culture.



Danish Agricultural Advisory Service
National Centre

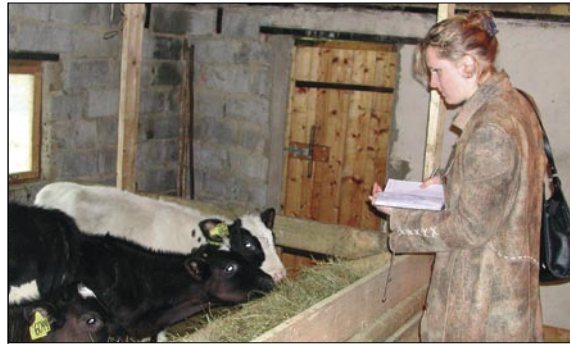
Udkaersvej 15, DK-8200 Aarhus N · Tel. +45 87 40 50 00 · www.landscentret.dk

E-mail: kns@landscentret.dk · hlf@landscentret.dk

Selected Project References

Federal Agricultural Advisory Service in Russia – Phase 1 and 2

On request of the Russian Ministry of Agriculture DAAS has been sparring partner to the Federal Agricultural Advisory Centre in the development of a strategy for and institutional building of an agricultural advisory service at Rayon, Oblast, Okrug and Federal level. The activities were anchored in Moscow involving 8 Oblasts and have been carried out with full and active involvement of all stakeholders.

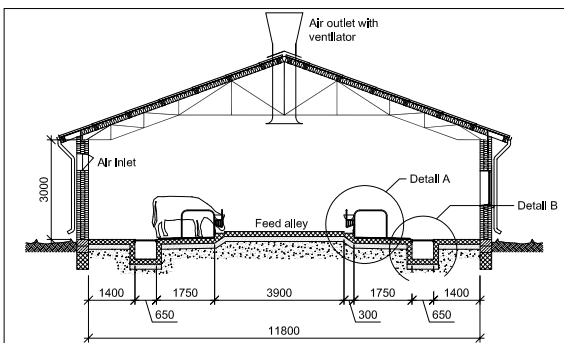


Centre for EU Integration in Agricultural and Rural Development – CARD Jable, Slovenia

DAAS has in an EU Twinning project assisted CARD Jable to upgrade advisory service capabilities for preparation of projects and programmes to be financed by the EU Structural Funds, and to train farmers in how to apply for the EU Structural Funds.

Support for the Development of the Agricultural Sector in Ternopil Oblast, Ukraine

The project is assisting the Ministry of Agrarian Policy and Ternopil Oblast Administration to set up Ternopil Oblast Agricultural Advisory Service with one Oblast centre and 3 local offices. The advisory service will be capable of providing support to farmers in obtaining higher productivity in milk and grain production.



Farm Standards, Poland

DAAS in cooperation with IBMER in Poland has implemented an EU Twinning project on Farm Standards. Farm Standards are based on EU requirements, research and farming experience. The standards are developed on housing systems for cattle, pigs, poultry, sheep & horses and storage facilities for feed and manure. The final result of the project is the implementation of the the Acquis Communautaire in the area of animal welfare, environment, hygiene and working environment.



Danish Agricultural Advisory Service

National Centre

Udkaersvej 15, DK-8200 Aarhus N · Tel. +45 87 40 50 00 · www.landscentret.dk

E-mail: kns@landscentret.dk · hlf@landscentret.dk